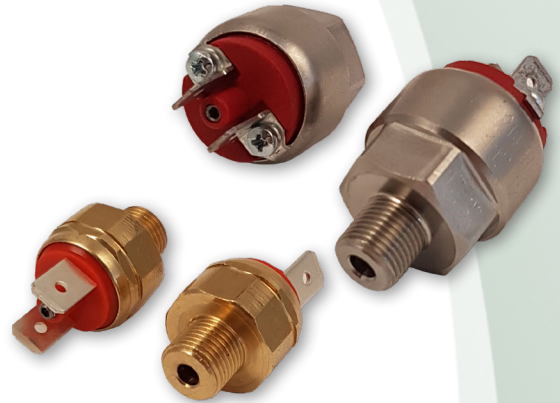


Pressure Switch - EPS01



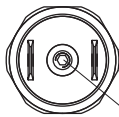
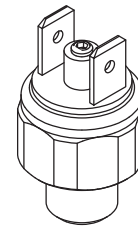
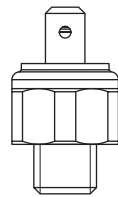
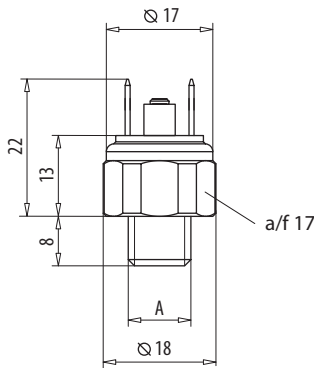
- Measuring ranges 0.3 -10 bar
- Generous overpressure
- Media temperature range -25 °C to + 85 °C
- Spring-loaded design with NBR or special VITON diaphragm
- Cost effective brass construction
- Medium - air, hydraulic oil, oil emulsions, water, others on demand



The compact EPS01 pressure switch is well suited to a wide range of applications in HVAC and machine building or pneumatic applications.

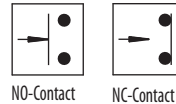
The EPS01 is a cost effective design for OEM projects.

Reference dimensions mm



Setting screw
M3 DIN 914

Wiring diagram



Ordering Information

(Please use the characters in the chart below to construct your product code)

Sample Code: **EPS01 - BR - G1/8 - N - 2 - NO - AG**

Series	Housing	Port Configuration	Diaphragm	Pressure Range	Contact type	Contact material
EPS01	BR- Brass	G1/8- G1/8 G1/4- G1/4	N- NBR V- Special Viton	2- 0.3 - 2 bar 10- 1 - 10 bar	NO- N/O NC- N/C	AG- Silver

Custom options available on request

Stock model: 17785 - EPS01-BR-G1/8-N-10-NO-AG



Pressure Switch - EPS01



Specification

Order ref.	EPS01-x-x-x-2-x-x	EPS01-x-x-x-10-x-x
Pressure setting range	0.3 – 2 bar	1 - 10 bar
Tolerance	± 0.2 bar	± 0.5 bar
Working pressure max.	2 bar	10 bar
Overpressure limit max.(static)	20 bar	20 bar
Design	Spring-loaded diaphragm	
Diaphragm	NBR, special design VITON	
Manner of fastening	Male thread	
Fitting thread >A<	G 1/8, G 1/4, Other thread types on demand	
Mounting position	Any	
Ambient temperature	-25 °C to + 85 °C, higher temperatures on demand	
Medium	Air, hydraulic oil, oil emulsions, water, others on demand	
Adjustability	Under pressure	
Switch back difference	Under 10%	
Mechanical life	10 ⁶	
Material	Brass	
Weight approx.	34 g	
Switching element	Silver-plated contacts	
Reference voltage	42 V	
Switching frequency max	200/min.	
Maximum load	2 A resistive	
Electrical connection	Flat plug 2 x 6.3 x 0.8	
Protective system	IP 65, terminals IP00	
Breaking capacity	100 VA	