

# Brushless DC Motor Hetai 28BL

## General Specifications

Winding Type	Star
Hall Effect angle	120° electrical angle
Insulation Class	B
Ambient Temperature Range	-20°C~+50°C
Insulation Resistance	100MΩ Min.500V DC
Dielectric Strength	500V AC 1 minute

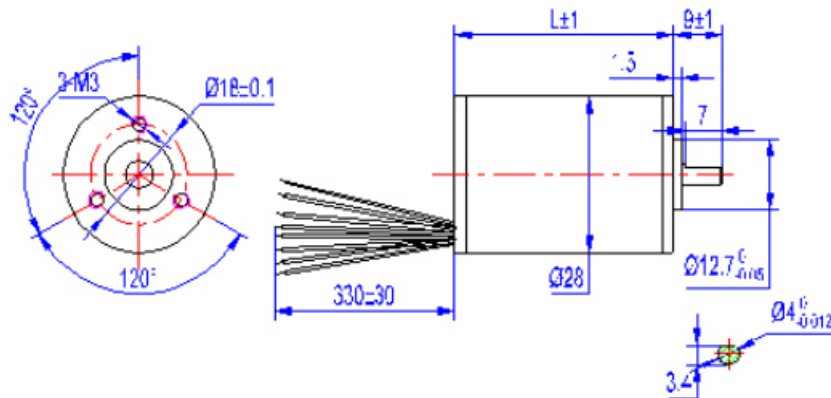


## Technical Specifications

Model	28BL01	28BL02	28BL03
Number of Poles	4		
Number of Phase	3		
Rated Voltage VDC	12	24	24
Rated speed RPM	3000	3000	3000
Rated Torque N-m	0.015	0.03	0.05
Rated Current Amps	0.9	1	1.5
Output Power Watts	11	22	33
Peak Torque N-m	0.045	0.09	0.15
Peak Current Amps	2.7	3	4.5
Torque constant N-m/Amps	0.035	0.058	0.057
Back EMF V/kRPM	3.37	6.1	6.1
Rotor inertia g*cm <sup>2</sup>	1.5	2.5	6
Motor Height (L) mm	40.5	53	78
Motor Weight (kg)	0.08	0.1	0.3

# Brushless DC Motor Hetai 28BL

## Mechanical Dimensions



## Winding Diagram

Electrical Connection Table		
Function	Color	
+5V	Red	AWG26 UL1007
Hall A	Green	
Hall B	Blue	
Hall C	White	
GND	Black	
Phase A	Orange	
Phase B	Yellow	
Phase C	Brown	

### Softing Italia

Via M. Kolbe 6,  
20090 Cesano Boscone (MI) - Italy

Tel: +39 02 4505171

Email: [info@softingitalia.it](mailto:info@softingitalia.it)

Web: [www.softingitalia.it/motors](http://www.softingitalia.it/motors)

