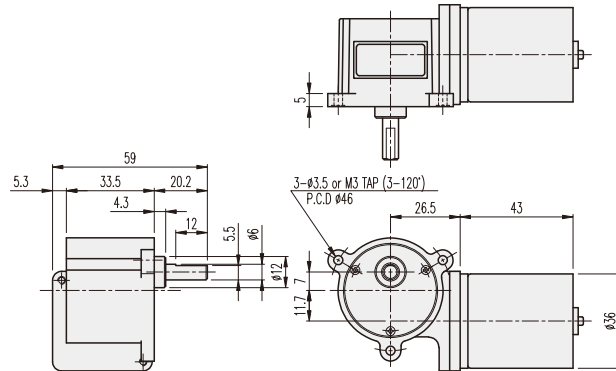
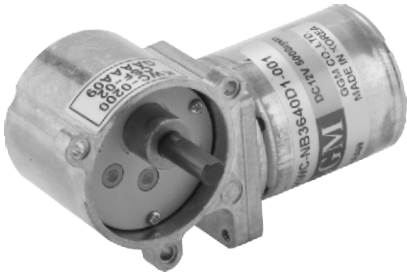


## KWC-TYPE

Worm GEARHEAD

### DIMENSIONS

#### KWC-3640 BLDC SERIES



#### BLDC MOTOR PERFORMANCE DATA

MODEL	ITEM	VOLTAGE (DC)	NO LOAD		AT MAX. EFF.			WEIGHT (g)
			mA	rpm	gf-cm	A	rpm	
KB3640S1		12V	500	5300	150	1.2	4500	150
KB3640S2		24V	300	5000	250	0.8	3900	

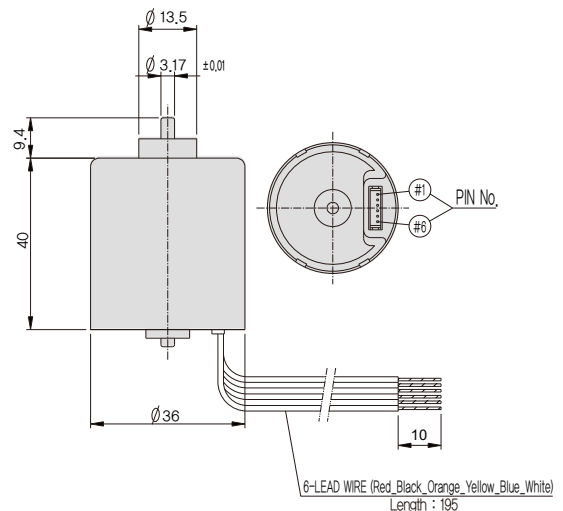
#### AT MAXIMUM EFFICIENCY (KWC-□□□□-KB3640S□)

GEAR	MODEL	KB3640S1		KB3640S2	
		DC 12V		DC 24V	
		rpm	kgf-cm	rpm	kgf-cm
1/0025		180	0.8	156	1.4
1/0030		150	1.0	130	1.6
1/0050		90	1.6	78	2.7
1/0060		75	1.7	65	2.9
1/0075		60	2.2	52	3.6
1/0100		45	2.9	39	4.9
1/0125		36	3.6	31.2	6
1/0150		30	4.4	26	6
1/0200		22.5	5.2	19.5	6
1/0250		18	6	15.6	6
1/0300		15	6	13	6
1/0375		12	6	10.4	6
1/0500		9	6	7.8	6
1/0600		7.5	6	6.5	6
1/0750		6	6	5.2	6
1/0900		5	6	4.3	6
1/1050		4.2	6	3.7	6
1/1350		3.3	6	2.8	6
1/1500		3	6	2.6	6

#### How to connect when speed control is not needed.

No - Color	Pin - Contents	Connection Method
1 - White	Brake	No Use, (-) connectin Brake
2 - Blue	PWM	connecting to (-) power
3 - Yellow	1FG(6P/R)	No Use
4 - Orange	CW/CCW	Normal Open, CCW connecting to (-) power
5 - Black	GND	connecting to (-) power
6 - Red	24V	connecting to (+) power

\* Please be cautious that Motor can be damaged when connected to incorrect power (+) (-).



- \* [ ] color gear ratios are CW rotation direction. [ when motor rotation direction is CCW ]
- \* Proceed function change in motor stop type.
- \* Controller for speed control is GUN type.