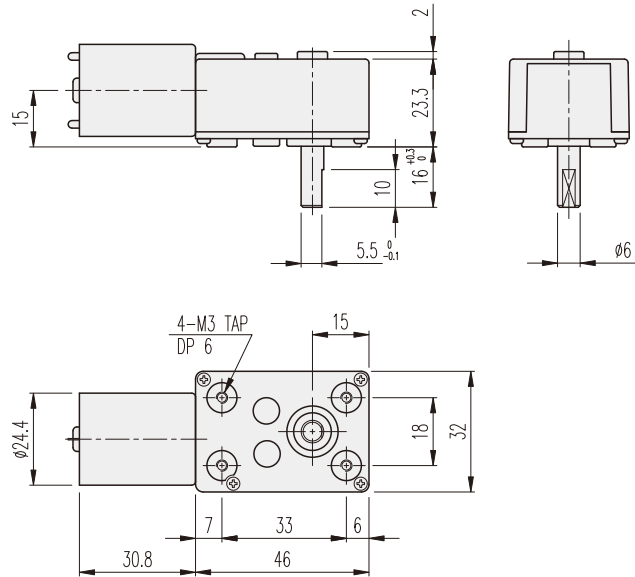
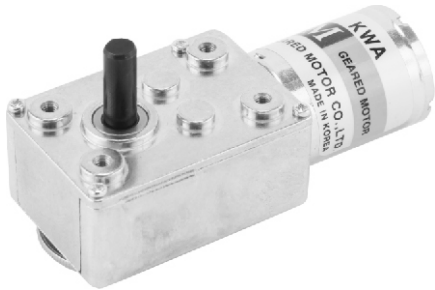


DIMENSIONS

KWA SERIES



MOTOR PERFORMANCE DATA

MODEL	ITEM	VOLTAGE (DC)	NO LOAD		AT MAX. EFF.			STALL		WEIGHT (g)
			mA	rpm	gf-cm	A	rpm	A	kgf-cm	
KD2531U1		12V	60	6500	27	300	4700	1.4	140	200
KD2531U2		24V	30	6500	27	160	5100	0.7	140	

AT MAXIMUM EFFICIENCY (KWA-□□□□-KD2531U□)

GEAR	MODEL	KD2531U1		KD2531U2	
		DC 12V		DC 24V	
		rpm	kgf-cm	rpm	kgf-cm
1/0076		61.8	0.4	61.8	0.4
1/0095		49.4	0.5	49.4	0.5
1/0123		38.2	0.6	38.2	0.6
1/0150		31.3	0.8	31.3	0.8
1/0175		26.8	0.9	26.8	0.9
1/0200		23.5	1	23.5	1
1/0255		18.4	1.3	18.4	1.3
1/0290		16.2	1.4	16.2	1.4
1/0380		12.3	1.8	12.3	1.8
1/0650		7.2	3.1	7.2	3.1
1/0940		5	4	5	4
1/1650		2.8	6	2.8	6

* The rotation direction of the color reduction ratio is C.W.
(When (+) power is connected to the (+) terminal of the motor)