

# HSG Worm Geared Type DC Motors 1-6

HSW

Gear Ratio : 1/50 ~ 1/110

## Product Features

Various Gear Ratio

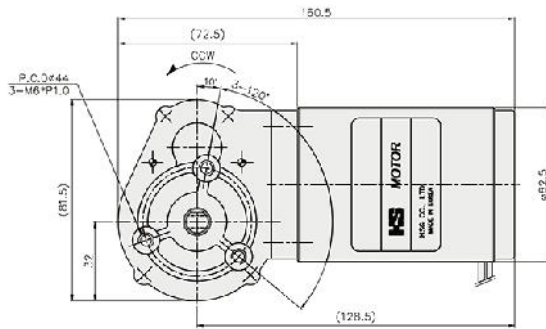
Prevent reverse force

Small size & light weight

Wide range of applications

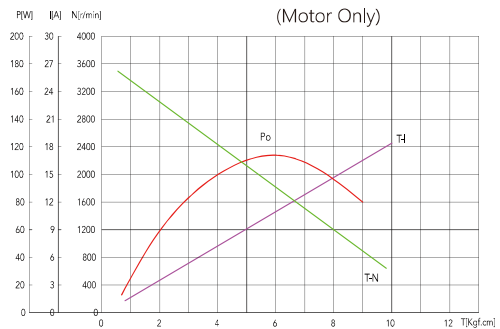


## DIMENSIONS

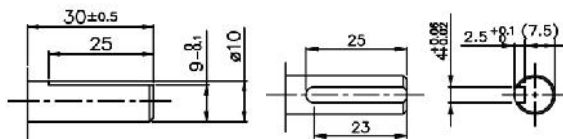


## CHARACTERISTIC CURVE

Model No. : HSW6-5024A  
(Motor Only)



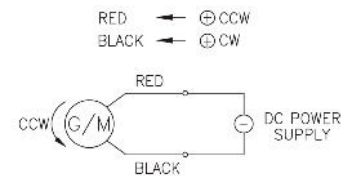
## MOTOR OUTPUT SHAFT



D-cut  
Type

Key  
Type

## CIRCUIT DIAGRAM



## SPECIFICATION

Model	Voltage (V)	Geared Motor				Motor Only					Weight (kg)
		Gear Ratio	No-Load		No-Load		At Rated Load			Output (W)	
			Speed (rpm)	Current (A)	Speed (rpm)	Current (A)	Speed (rpm)	Torque (kgf.cm)	Current (A)		
HSW6-5024A	24	1:50	72	0.8	3,600	0.8	3,150	1.54	3.3	50	1.5
HSW6-5024A	24	1:110	33	0.8	3,600	0.8	3,150	1.54	3.3	50	1.5