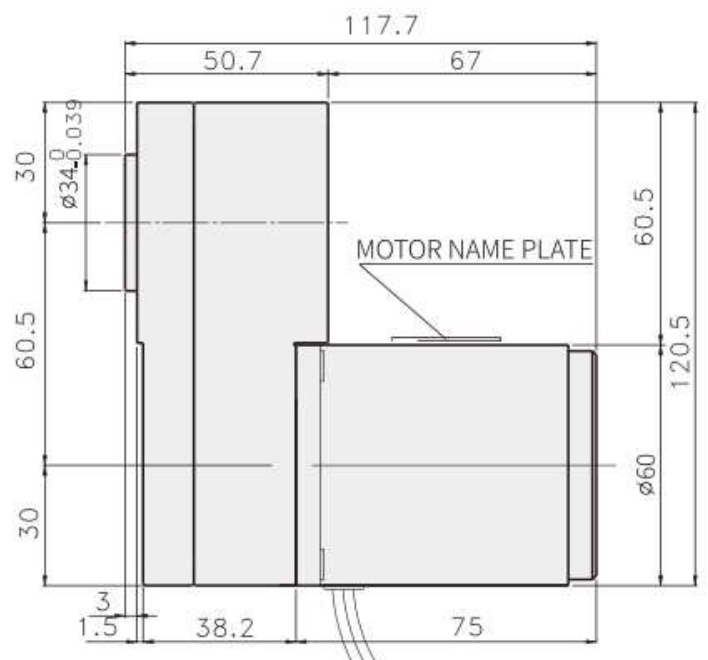
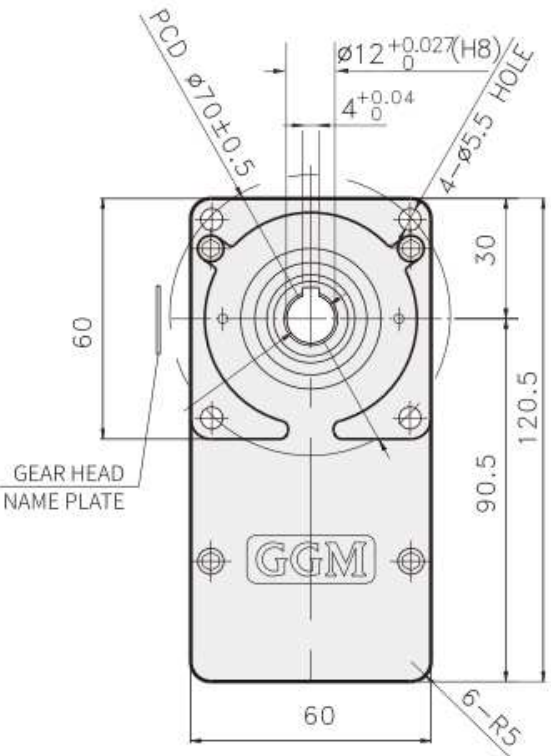


# K6□H6N□ + K6H□BTH

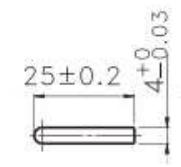


UL Style 3266 , AWG20  
MOTOR LEAD WIRE 300mm

## WEIGHT

PART	WEIGHT(kg)
MOTOR	0.72
GEARHEAD	0.72

## ○ KEY



## ○ KEY GROOVE

